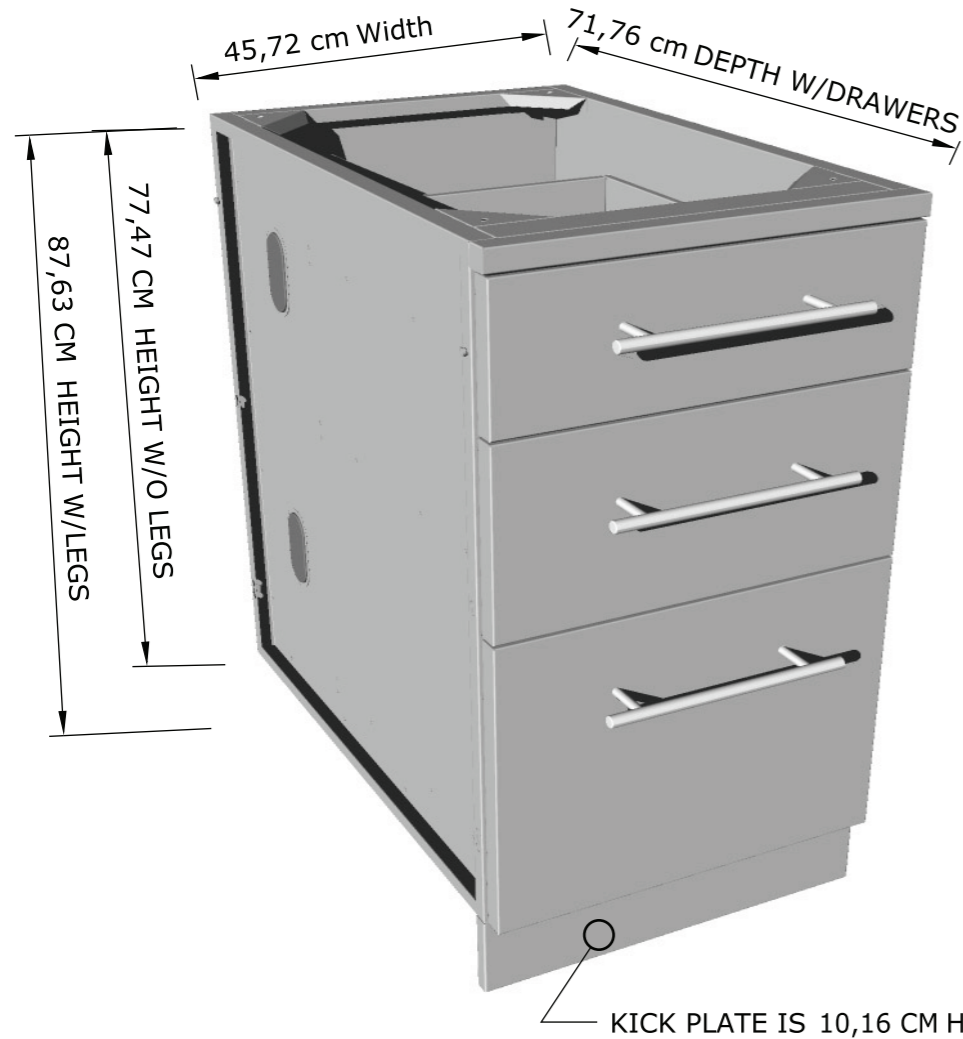
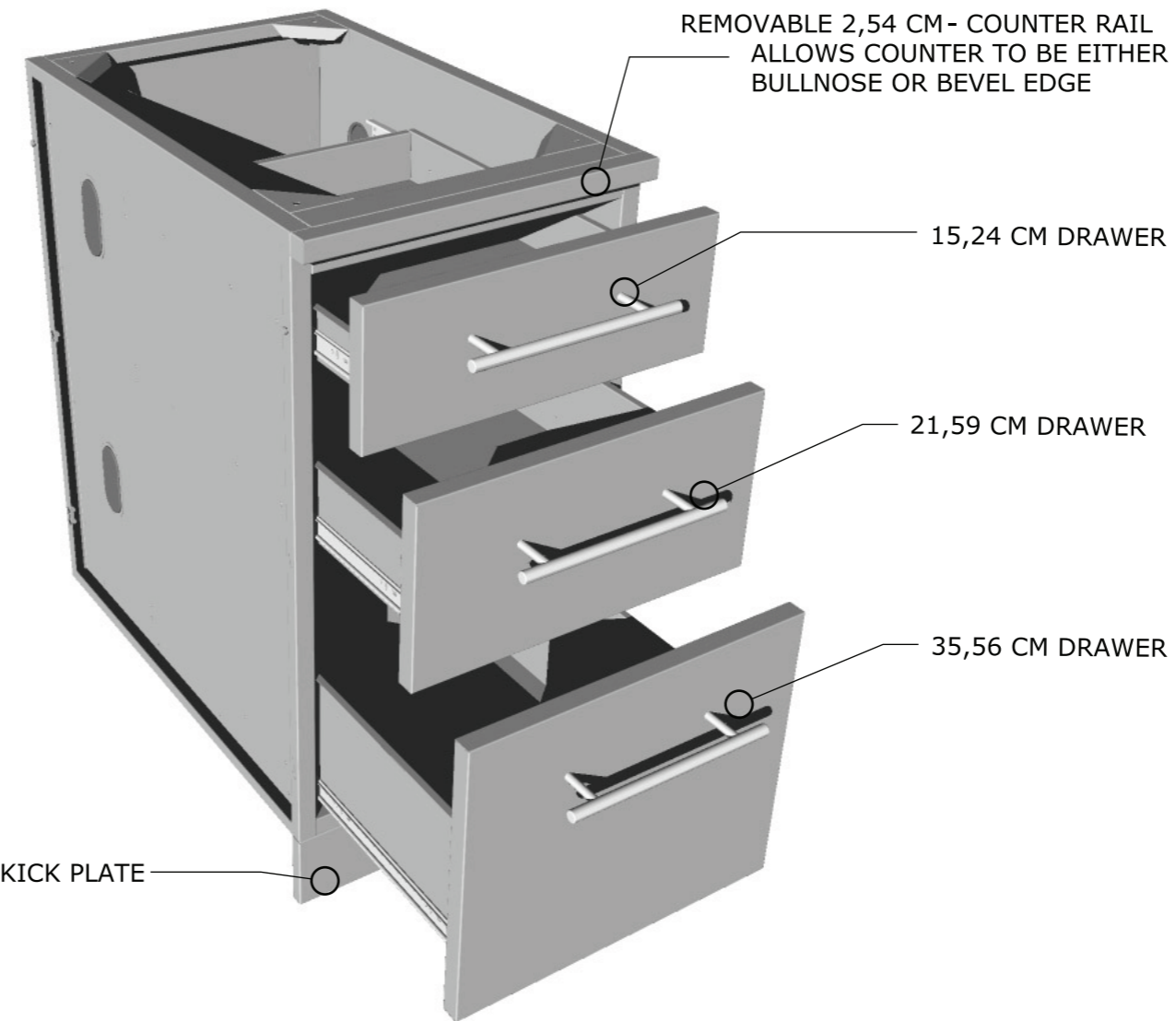


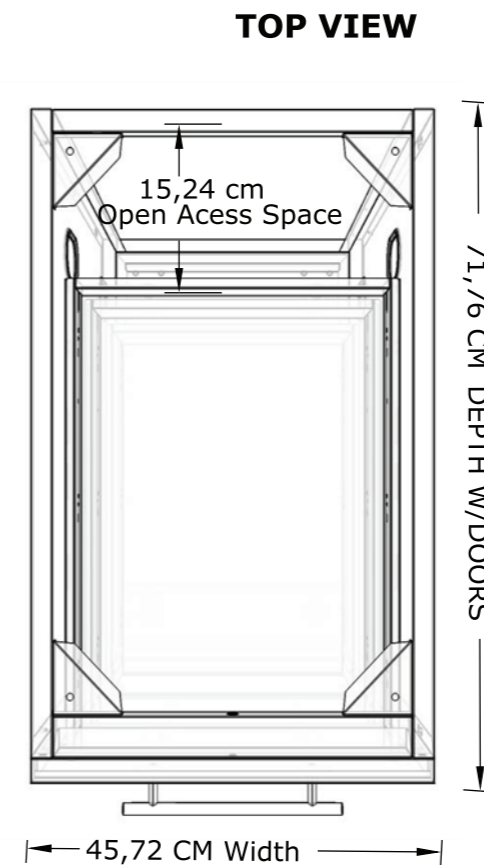
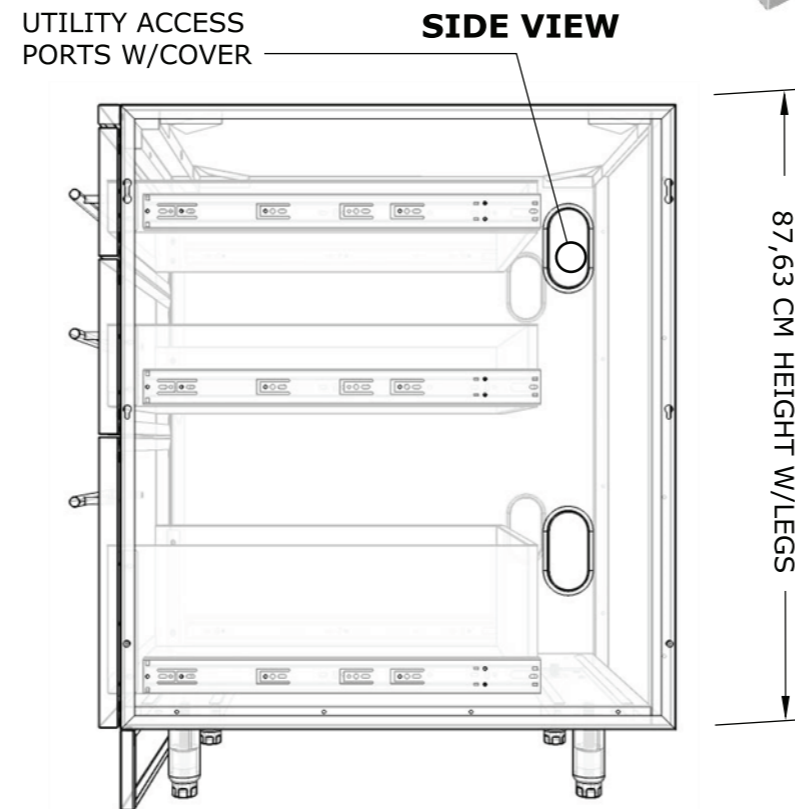
Product Dimensions



Product Components



Product Diagrams



Av. Combatentes do Ultramar, 184
2715-776 Lameiras, Sintra, Portugal
TEL: (+351) 219 670 073
Email: info@sunstoneoutdoorkitchens.com

PRODUCT

Triple Drawer Cabinet

Item No. SBC18STD

DESCRIPTION

Triple Drawer Cabinet with
Large Bottom Drawer

- Lifetime Structure Warranty
- 304 Stainless Steel Structure
- 304 SS Rod Handles
- Front & Back Kick-Plates
- Easy Pin-Lock Installation
- Soft-Close Drawer Tracks
- Covered Access Ports
- Adjustable Peg-Legs
- Optional Wheel Casters

INCLUDED COMPONENTS

- Front Kick Plates
- Back Solid Kick Plate
- (4) Adjustable Peg Legs

PRODUCT DIMENSIONS

45,72 W x 71,75 D (w/Drawers) x 87,63 H (w/Legs)
45,72 W x 71,75 D (w/Drawers) x 77,47 H (no Legs)
or Upto 91,44 cm Max Adjustable Height

INSERT DIMENSIONS

NONE

INSERTABLE PRODUCTS

NONE

MATERIAL SPECS

304 Stainless Steel entire structure, 18 Gauge for Door Panel, 18 Gauge for Cabinet Box, 18 Gauge for Shelf, Handles are made of Solid 304 Stainless Steel Bar.