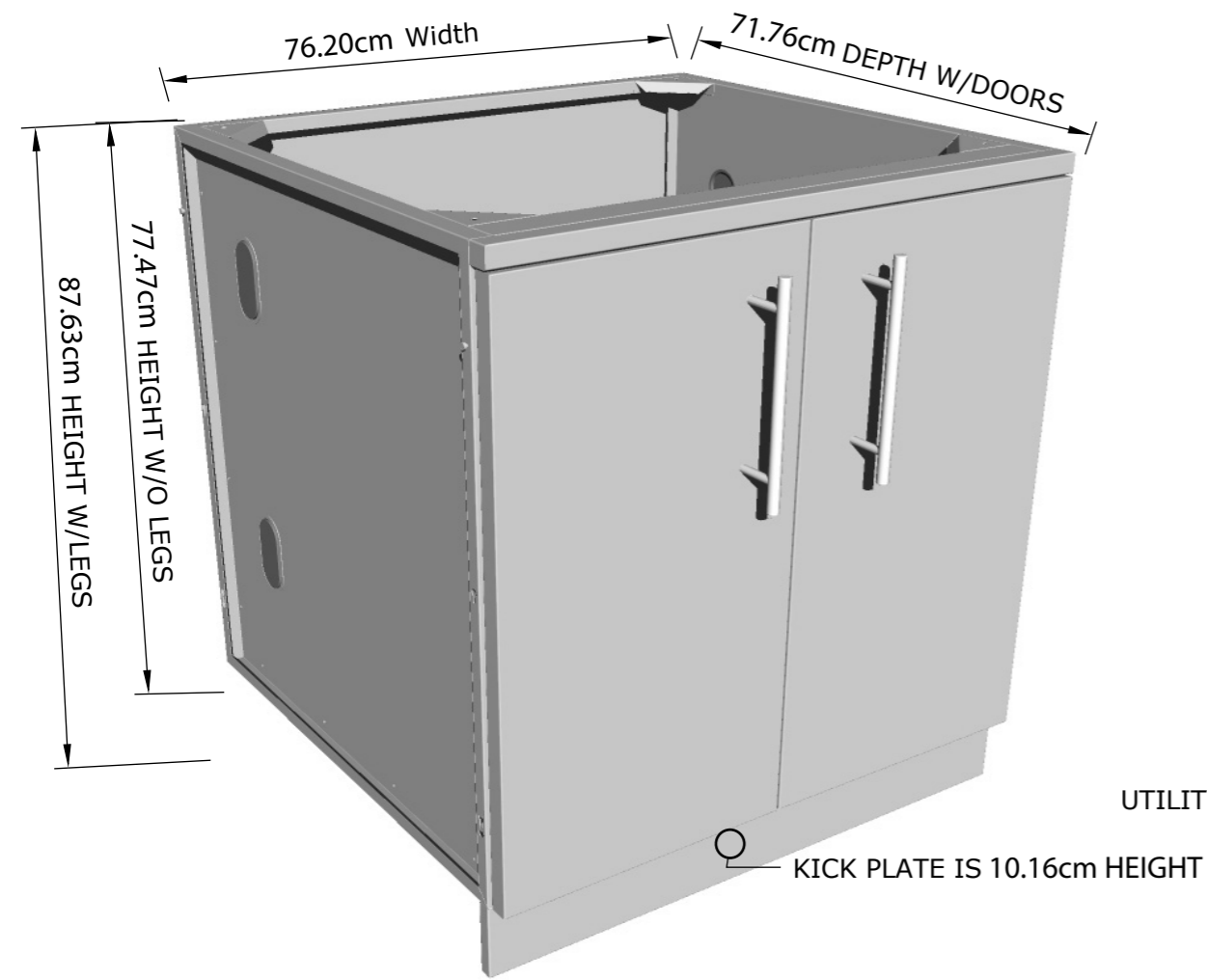
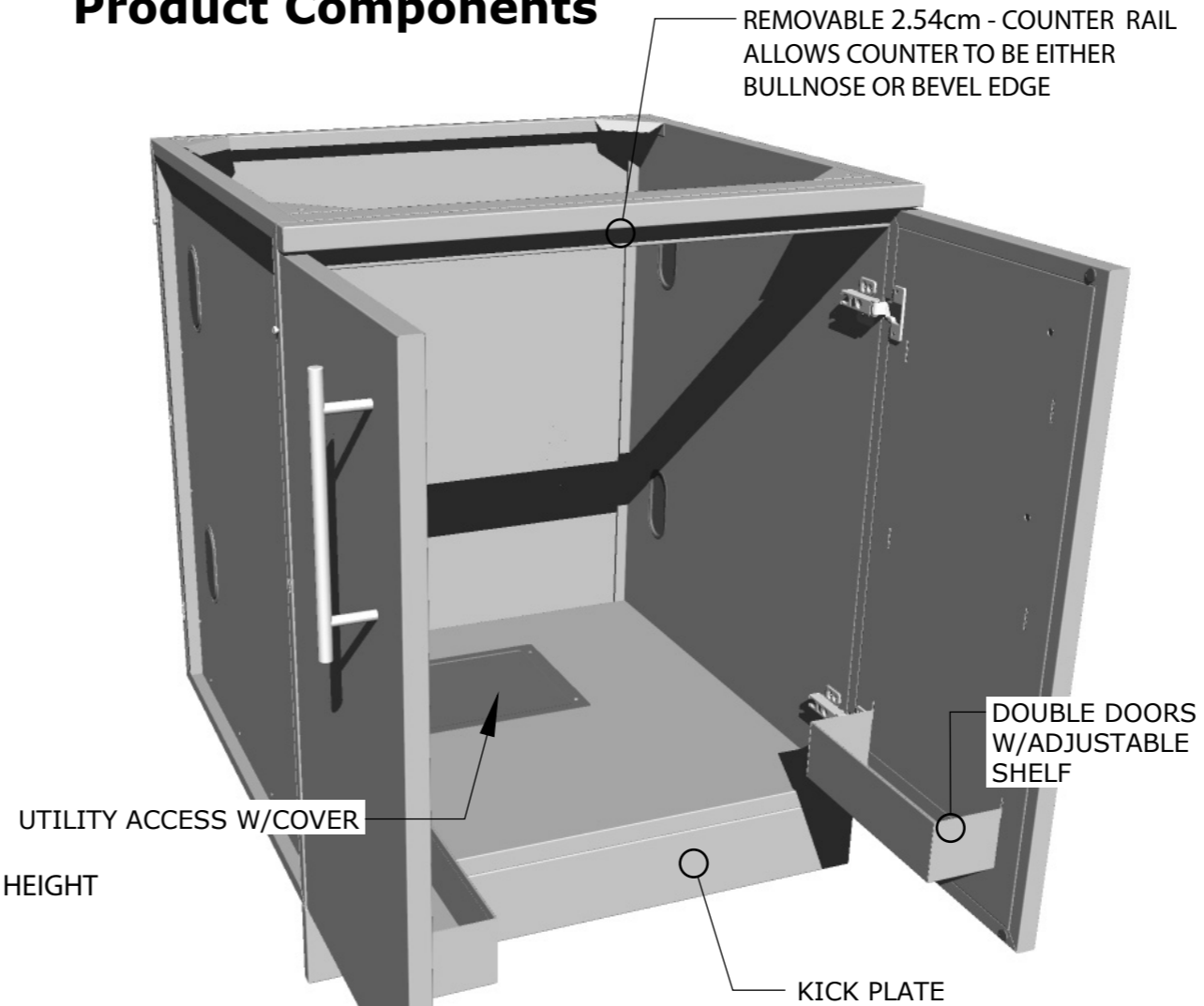


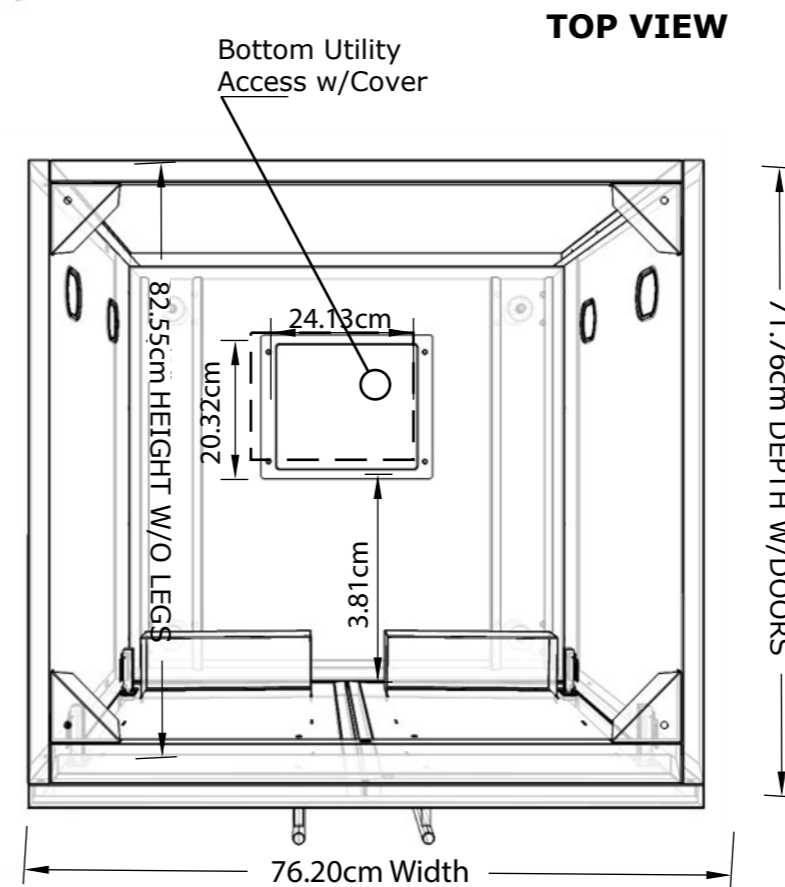
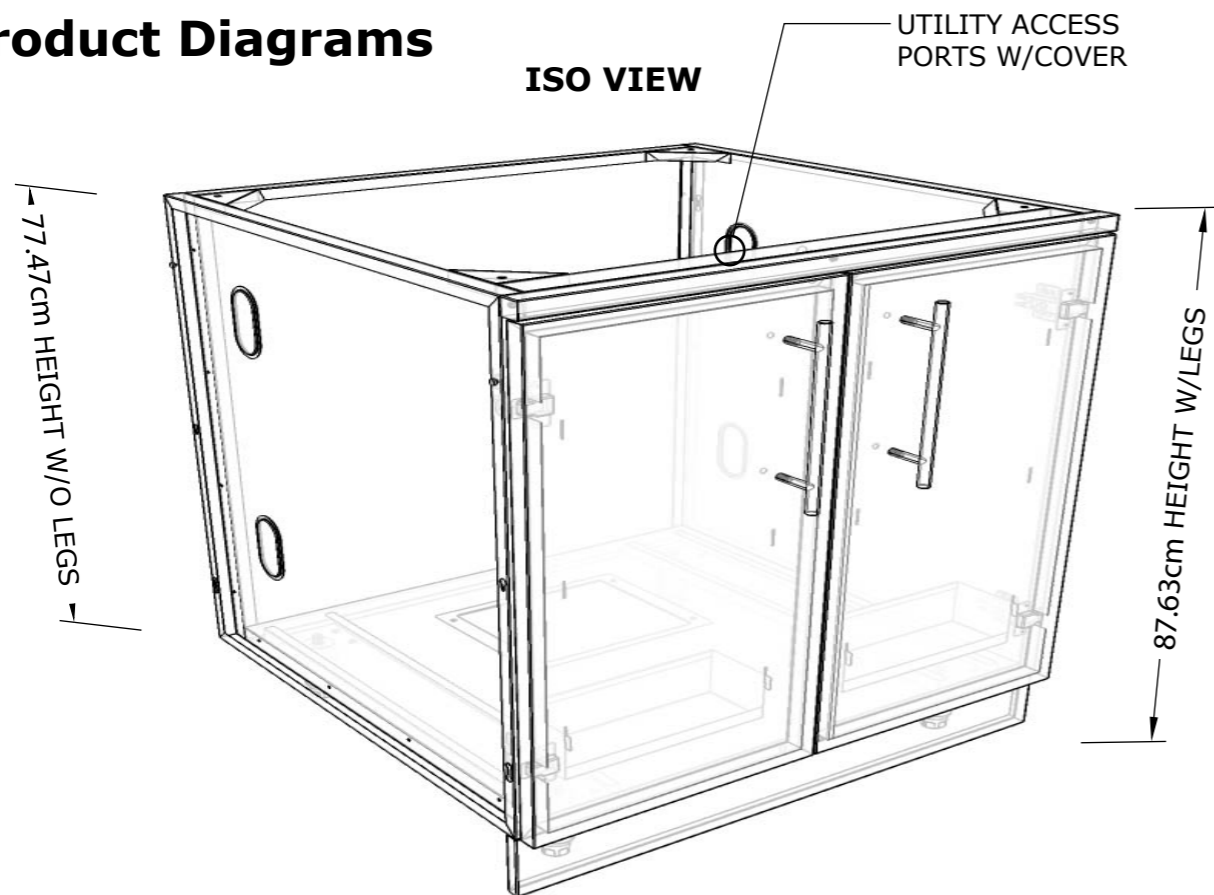
Product Dimensions



Product Components



Product Diagrams



Av. Combatentes do Ultramar, 184
2715-776 Lameiras, Sintra, Portugal
Tel: (+351) 219 670 073
Email: info@sunstoneoutdoorkitchens.com

PRODUCT

Full Height Double Door Cabinet

Item No. SBC30FDD

DESCRIPTION

76.20cm Full Height Double Door Cabinet, Doors are double walled with adjustable shelf

- Lifetime Structure Warranty
- 304 Stainless Steel Structure
- 304 SS Rod Handles
- Front & Back Kick-Plates
- Easy Pin-Lock Installation
- Soft-Close Drawer Tracks
- Covered Access Ports
- Adjustable Peg-Legs
- Optional Wheel Casters

INCLUDED COMPONENTS

- Front Kick Plates
- Back Solid Kick Plate
- (4) Adjustable Peg Legs

PRODUCT DIMENSIONS

76.20W x 71.76D (w/Door) x 87.63H (w/Legs) or 77.47H (no Legs) or Upto 91.44cm Max Adjustable

INSERT DIMENSIONS

71.12cm Width x 45.72cm Depth

INSERTABLE PRODUCTS

Single Side Burner - 1SSB
Premium Sink - B-PS21
Standard Sink - A-SS17
Drop-In Ice Chest - A-IC

MATERIAL SPECS

304 Stainless Steel entire structure, 18 Gauge for Door Panel, 18 Gauge for Cabinet Box, 18 Gauge for Shelf, Handles are made of Solid 304 Stainless Steel Bar.